

PRODUCT CODE: SBS50G
SPACER BAR SADDLE

DESCRIPTION

2" Spacer Bar Saddle

FINISH

BZP

MATERIAL

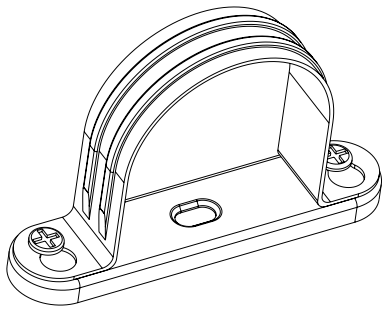
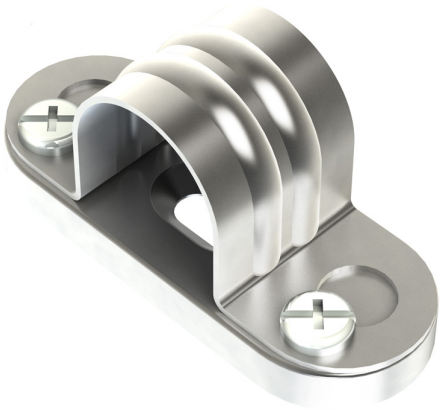
Pressed Steel

PACKAGING

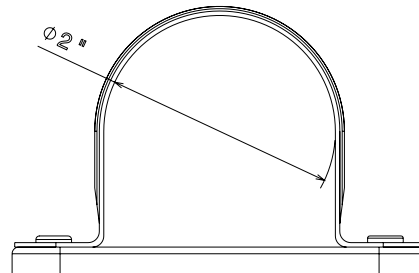
Packed in qty 25

ADDITIONAL NOTES

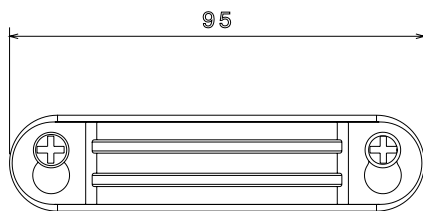
Conforms to BS EN61386-1:2008
Compliant to LU Standard 1-085 (for use on surface & sub-surface locations)



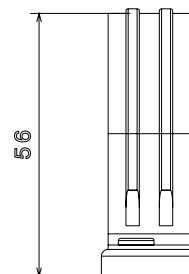
Isometric view



Side view



Top view



Side view